

2018 HOLIDAY RAMBLER VESTA

# VESTA

2018 HOLIDAY RAMBLER  
CLASS C GAS



HOLIDAY RAMBLER  
REVGROUP

# VESTA

## TOP FEATURES

### EXTERIOR

- Aluminum Square Luggage Doors
- Exterior Wall-Mounted Entertainment Center
- Color Monitor for Side and Rear Cameras
- Dynamic Ride Suspension
- Roof-Mounted Integrated Awnings

### INTERIOR

- 11 cu. ft. Two-Door Whirlpool Stainless-Steel Residential Refrigerator
- Stainless-Steel Microwave
- Solid-Surface Countertops
- Energy-Efficient, Flush-Mount LED/Ceiling Lights Throughout



Vesta 31U in Chocolate Truffle décor with Italian Sienna High Gloss wood cabinetry.



Bedding shown from the Pecan Grove décor.

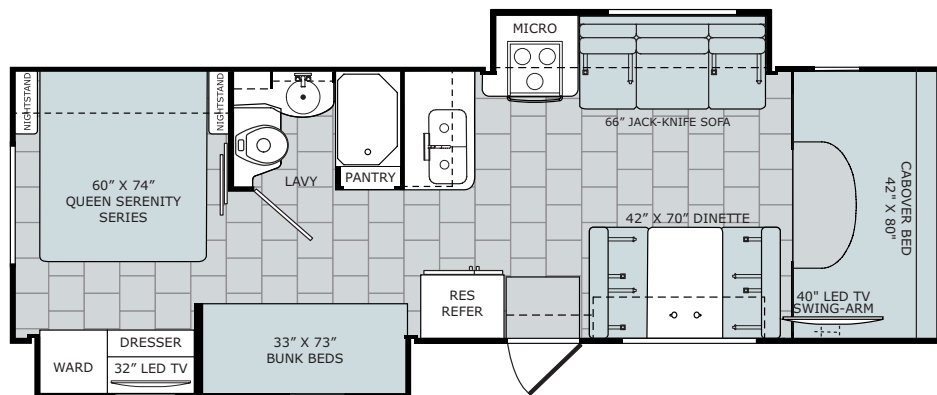
# This is living.

Don't settle for the expected. Instead, experience life to the fullest. Explore the Holiday Rambler Vesta, a Class C motorhome that breaks the mold in RV living. The breathtaking Vesta sets the bar in the kitchen alone, featuring solid-surface countertops, high-gloss cabinetry and stainless-steel appliances, including a residential 11 cu. ft. refrigerator. Vesta raises the bar even higher with an integrated awning and exterior entertainment center. Get ready to reimagine Class C motorhome living...

# FLOORPLANS & EXTERIORS

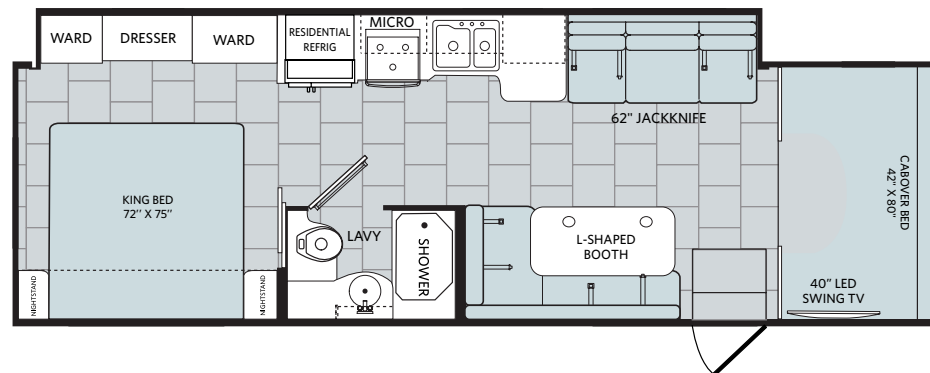
30D

Options: 113, 146, 157, 351, 860/864



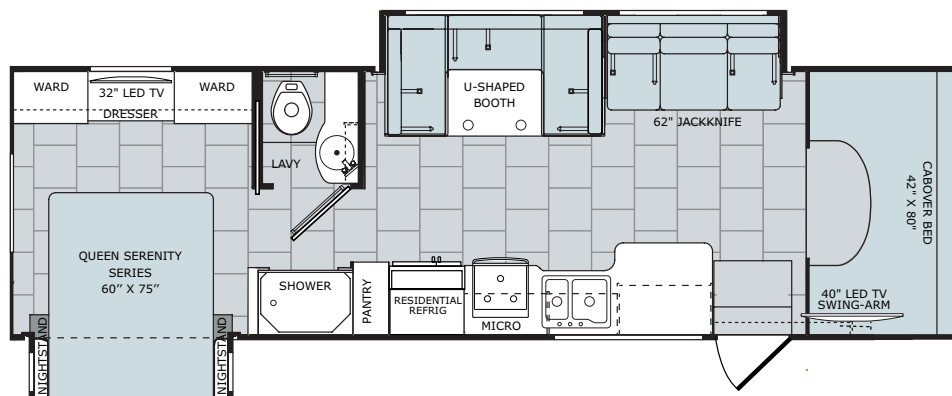
30F

Options: 113, 146, 351



31U

Options: 113, 146, 351



Available Options



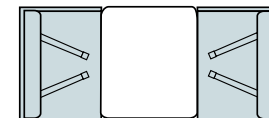
OPT. 113  
3-BURNER  
COOKTOP  
W/OVEN



OPT. 146  
2-DOOR REFRIG  
W/ICEMAKER

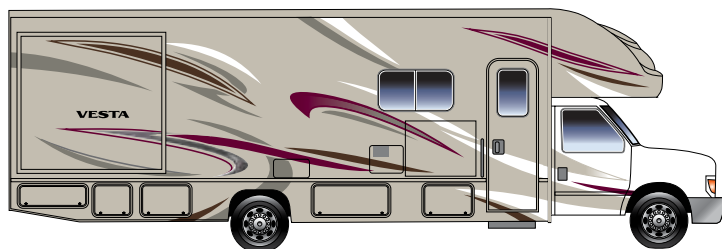


OPT. 351  
40" LED TV  
W/HOME  
THEATER SYSTEM



OPT. 860/864  
DINETTE W/ SWING DOWN BUNK  
30" X 70" DINETTE / 28" X 70" BUNK

Atomic



Slate



# DÉCOR & EXTERIORS

Dark Cherry High Gloss



Chocolate Truffle



Italian Sienna High Gloss



Pecan Grove



1 | Sofa 2 | Accent 3 | Bedspread 4 | Countertop 5 | Flooring 6 | Carpet

Everest



Scoria



# STANDARDS AND OPTIONS

## INTERIOR THROUGHOUT

- (1) 15,000 BTU Ducted Air Conditioner w/Heat Pump
- 6 Gallon Propane/120V Water Heater w/Electronic Ignition
- 30,000 Btu/h Single Furnace (31U)
- Child Tether Seating Position
- 1200W Inverter
- Deluxe Padded Ceiling
- Dual 20,000 BTU Furnaces (30D)
- Energy Efficient LED Flush Mount Ceiling Lighting Throughout
- Full Extension Drawers
- Hardwood, High Gloss Raised Panel Cabinet Doors/Drawers Upper & Lower
- Hardwood Slide-out Fascia
- Hidden Cabinet Door Hinges
- Night Roller Shades Throughout
- Soft Touch Sofa & Dinette Seating
- Whole Coach Water Filtration System

### OPTIONS

- CSA Package

## DRIVER CONVENIENCE

- 12V & USB Accessory Ports
- 3 Point Seat Belts at Driver and Front Passenger Seats
- AM/FM Radio w/CD Player
- Auxiliary Emergency Start Assist Switch on Dash
- Cab Carpet
- Cup Holders - 2 Holders in Dash
- Dash Air Conditioning
- Driver & Passenger Sun Visors
- Electronic Cruise Control
- Front Cab Closeout Fabric Curtain
- Front Cab Dome Light
- Power Driver & Passenger Windows
- Power Remote/Heated Mirrors w/Side View Camera
- Reclining Driver & Passenger w/Soft Touch Seats
- Safety Air Bags Driver & Passenger
- Tilt Steering Column
- Windshield Wipers w/Delay

### OPTIONS

- Sirius XM/Satellite Radio

## LIVING ROOM

- 40" Flat Screen LED TV
- Soft Touch Dinette w/Child Tether
- Soft Touch Jack-knife Sofa

### OPTIONS

- Front Cab Hardwood Overhead w/Entertainment System & Cabinets

## GALLEY

- 11 cu.ft. Two-Door Stainless Steel Residential Refrigerator
- 3 Burner Cooktop w/Glass Cover
- Deep Double Bowl Under Mount Stainless Sink
- Full Length Roller Bearing Drawer Guides
- Indirect Under Cabinet Lighting
- Night Roller Shade
- Power Vent
- Residential Single Handle Faucet w/Pullout Sprayer
- Tile Backsplash
- Solid Surface Galley Countertop
- Solid Surface Sink Covers
- Stainless Steel Convection Microwave

### OPTIONS

- 3 Burner Range w/Oven
- Dometic 8 cu. ft. Two-Door Refrigerator w/Ice-maker

## BATHROOM

- Medicine Cabinet w/ Mirror
- Porcelain Foot-flush Toilet
- Power Vent
- Premium Vinyl Flooring
- Residential Brushed Nickel Faucet
- Shower Head w/On/Off and Matching Dual Valve Faucet
- Shower Skylight
- Solid Surface Countertop

## BEDROOM

- 33" x 73" Bunk Bed Mattress (30D)
- 32" LED TV
- Bunk Bed Bedspreads and Privacy Curtains (30D)
- Designer Bedspread & Pillow Shams
- DVD Player
- Lift Up Bed with Under Bed Storage
- Queen Size Mattress
- Solid Surface Nightstand Tops
- Under Cabinet Reading Lights

### OPTIONS

- Dual Flat Panel TVs Bunkbeds (30D)
- Swing Down Bunk w/Dinette (30D)
- Swing Down Bunk w/Dinette & Dual Glazed Windows (30D)



## EXTERIOR THROUGHOUT

- 14 Gallon LP Tank
- Acrylic Lighted Grab Handle at Entry Door
- Aluminum Square Baggage Doors
- Batteries: (2) 6V Deep Cycle House Batteries
- Black Water Tank Flush
- Chrome Front Bumper
- Color Match Exterior w/Premium Graphics
- Dark Tinted Frameless Windows Throughout
- Daytime Running Lights
- Debris Awning Above All Slide-Out Rooms
- Exterior Lighted Power Entry Step
- Exterior Park Cable & Hookup
- Exterior Shower
- Front/Rear LED Clearance Lighting
- GFCI Receptacle
- Hitch - Capacity of 7,500# w/7-Way Round Tow Connection
- Patio lights - (One door side, One passenger side over service bay)
- Onan® 4.0kW MicroQuiet Generator
- Prep for Roof Mount Satellite Dish
- Propane Quick Connect at Entry Door
- Rear Ladder
- Running Boards
- Roof Mounted Integrated Box Patio Awning w/ LED Lighting
- Solar Electrical Panel Prep
- Unidirectional Antenna
- Wall Mounted Exterior Entertainment Center w/32" LED TV, AM/FM/CD/DVD Radio, & 2 Speakers

### OPTIONS

- Frameless Dual Pane Windows
- Full Body Paint Exterior
- King Dome Satellite
- Roof Rain Vent Covers

## AUTOMOTIVE

- 4-Point Automatic Levelers
- Trailer Hitch w/7-Pin Electrical Hook Up

## SAFETY/CONVENIENCE

- 10 lb. ABC Fire Extinguisher
- 30 Amp Electrical Service & 30' Power Cord
- Automotive Safety Glass
- Battery Access Entry Step Cover
- Battery Disconnect
- Carbon Monoxide, Propane, & Smoke Detectors/Alarms
- Egress Window
- Entry Door w/Screen Door & Deadbolt Lock
- Exterior & Interior Entry Assist Handle
- GFI Circuit Protection
- High Mounted Large Taillights
- Multiple Seatbelt Locations
- Porch Light w/Interior Switch
- Power Electric Step
- Automatic Hydraulic Leveling Jacks

## STORAGE

- Molded Cross Link Polyethylene
- Battery Compartment w/Lid
- Pass Through Storage
- Rotocast Molded Storage Boxes
- Slam Latch Luggage Doors

## BODY STRUCTURE

- 26" Wide Radius Corner Entry Door w/Obscured Window
- Corrosion Resistant Aluminum Tube Hull Framing
- Microwall Exterior
- Heated Fresh Water & Holding Tank Compartments
- Molded Rear Wheel Trim Flares
- One-Piece Molded Fiberglass
- Front End Cap
- Pass Through Storage
- Powder Coated, Steel Running Boards
- Radius Roof
- Sidewalls Framed with 1-1/2" Aluminum Tubing
- Steel Powder Coated Rear Bumper
- Vacu-bond® Floor
- Vacu-bond® Hull Lamination Process

# WEIGHTS & MEASUREMENTS

## CHASSIS

MODEL	30D	30F	31U
Wheelbase	214"	214"	214"
Front GAWR (lbs) <sup>2</sup>	5,000	5,000	5,000
Rear GAWR (lbs) <sup>2</sup>	9,600	9,600	9,600
GCWR (lbs) <sup>3</sup>	22,000	22,000	22,000
Hitch Rating Weight (lbs) <sup>†</sup>	7,500	7,500	7,500
Tongue Weight (lbs)	500	500	500
Fuel Capacity (gal)	55	55	55

## FORD® CHASSIS

Model: Ford E-450

Engine: 6.8L Triton V10

Transmission: TorqShift® 6-Speed, Automatic w/Overdrive

Alternator: 155 Amp

Torque: 420 lb.-ft. @ 3250 RPM

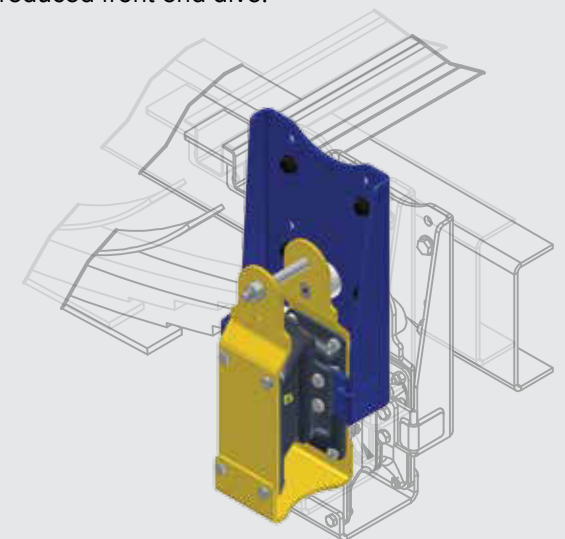
Horsepower: 305 HP

## DIMENSIONS AND CAPACITIES

MODEL	30D	30F	31U
Overall Length <sup>4</sup>	31' 8.5"	31' 8.5"	32' 5.5"
Overall Height <sup>5,6</sup>	12'	12'	12'
Overall Width <sup>5,6</sup>	102"	102"	102"
Interior Height (maximum)	82"	82"	82"
Interior Width (maximum)	96"	96"	96"
Patio Awning Length	16' 4"	16' 4"	16' 4"
Interior Storage (cu. ft.)	110	110	115
Exterior Storage (cu. ft.)	104	104	90
Fresh Water Holding Tank (gal)	60	49	49
Grey Water Holding Tank (gal)	35	35	35
Black Water Holding Tank (gal)	35	35	35
Appliance Propane Tank (gal) (WC) <sup>7</sup>	14	14	14
Water Heater Tank (gal)	6	6	6

## THE SMOOTHEST CLASS C RIDE FEATURING REV CONTROL RYDE™

Our all-new Class C motorhome rides on the industry exclusive REV Control Ryde™ Suspension (RCR) system. Partnering with MORryde we use the rubber shackle 'airless' suspension system – the newest suspension system to the Class C market. The RCR Suspension system takes systems engineered for the ambulance and emergency vehicle industry to offer Class C owners a ride like no other. Owner's can skip airbag maintenance with the RCR system, which tackles the roughest roads with unique rubber shear springs that cushion the motorhome and absorbs road shock. We also offer the industry's only 'Anti-dive' technology which brings superior control during braking through reduced front end dive.



# This is living.

At Holiday Rambler, your dream journey is our unwavering inspiration. Whether you're planning a rambling weekend getaway or imagining a cross-country holiday adventure, we know that owning a motorhome is a dream lifestyle. We take that dream seriously. **We focus on the idea of home — not the place, but the feeling.** Then we make sure to turn that feeling into one of the most envious getaways. Holiday Rambler. This is living...



HOLIDAY RAMBLER®

YOUR LOCAL DEALER

**REV**GROUP

Holiday Rambler is part of REV Recreation Group, a division of REV Group, Inc., a family of 26 industry-leading motor vehicle brands. At REV Group, we innovate, design and build products that connect and protect thousands of people every day—our trusted vehicles are engineered with the utmost rigor and precision to deliver the highest levels of performance, reliability, durability and safety.

#### DISCLAIMER

1. GVWR (Gross Vehicle Weight Rating) is the maximum permissible weight of this fully loaded motorhome. The GVWR is equal to or greater than the sum of the (UVW) unloaded vehicle weight plus the (OCCC) occupant cargo-carrying capacity\*.
  2. GAWR (Gross Axle Weight Rating) is the maximum permissible loaded weight a specific axle is designed to carry.
  3. GCWR (Gross Combined Weight Rating) is the value specified by the motorhome manufacturer as the maximum allowable loaded weight of this motorhome with its towed vehicle. Towing and braking capacities may be different. Refer to Holiday Rambler and chassis manufacturer's manuals for complete information.
  4. Length measured from front bumper to rear bumper (excludes accessories).
  5. Excludes safety equipment and awnings.
  6. Motorhomes feature a body width over 96" which will restrict your access to certain roads. Before purchasing, you should research any state and/or province road laws which may affect your usage.
  7. Tank manufacturer's listed water capacity (WC). Actual propane capacity is 80% of water listing as required by the safety code.
- \* The chassis manufacturer recommends the installation of a supplemental brake control system to activate the brakes on the vehicle or trailer you are towing. Hitch receiver ratings expressed are maximum for the hitch receiver installed and may require the purchase of additional equipment that is dependent on the weight of the towed load. Consult with hitch receiver manufacturer for further information.
- \*\* UVW and OCCC are found on the label containing the federal certification tag in each RV.
- \*\* The Minimum Towable Load of this vehicle is the available weight capacity, up to GCWR, when the coach is fully loaded to maximum GVWR. However, if the coach is loaded to something less than maximum GVWR, that extra available weight capacity can be added to your Towable Load. For example, if your coach is loaded to 1000lbs less than maximum GVWR, your Towable Load increases accordingly. Do not exceed the hitch rating weight, GVWR or GCWR.
- \*\* Seatbelts and locations are shown in the brochure for display purposes only. Actual numbers and locations will vary by model.
- \*\*\* All 2017 REV Recreation Group motorhomes include a limited one-year/15,000-mile coach warranty and three-year/45,000-mile structural warranty, whichever occurs first, and is fully transferable for the first 12 months.

#### CONTACT US

To locate a dealer near you, visit our website at [www.holidayrambler.com](http://www.holidayrambler.com) or call 1-877-252-4666. We can also be contacted at Holiday Rambler Customer Relations, P.O. Box 1007, Decatur, IN 46733.

**IMPORTANT—PLEASE READ:** Product information, photography and illustrations included in this publication were as accurate as possible at the time of printing. For further product information and changes, please visit our website at [www.holidayrambler.com](http://www.holidayrambler.com) or contact your local Holiday Rambler dealer. Prices, materials, design and specifications are subject to change without notice. All weights, fuel, liquid capacities and dimensions are approximate. Holiday Rambler has designed its recreational vehicles to provide a variety of uses for customers. Each vehicle features optimal seating, sleeping, storage and fluid capacities. The user is responsible for selecting the proper combination of loads (i.e., occupants, equipment, fluids, cargo, etc.) to ensure that the vehicle's capacities are not exceeded.

[www.holidayrambler.com](http://www.holidayrambler.com)

©2017 REV Group, Inc. Printed in the USA. Inventory Control Number VESTA18B1, 06/17. Model Year 2018, First Edition.